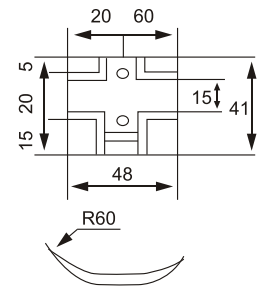
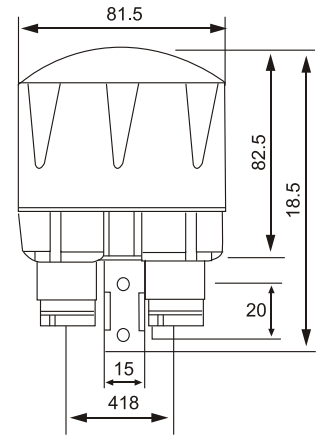
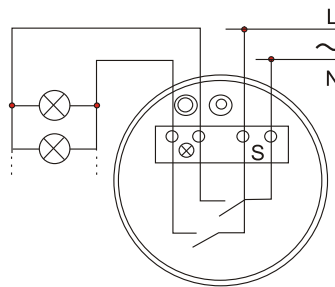


## LLAS25 Photo Controls



LLAS25

Exterior dimension(mm)



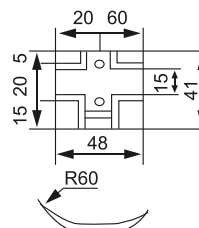
### LLAS25

- ⊙ Electronic Photo Control
- ⊙ Rated voltage: 120/240V~(applicable 105-260V~)
- ⊙ Rated frequency: 50/60Hz
- ⊙ Rated current: 16-30A
- ⊙ Load: 2000W TUNGSTEN
- ⊙ Light level: ON/OFF;10-16LUX/50-80LUX or at customers'option
- ⊙ Acting time: 6-25"
- ⊙ Protection degree of enclosure: IP54
- ⊙ Temperature range: -40℃~+70℃
- ⊙ Electrical life: >5000CYCLES

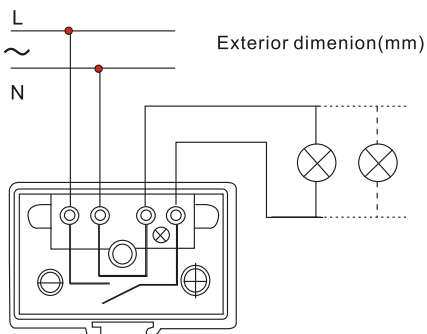
## LLAS26 Photo Controls

### LLAS26

- ⊙ Electronic Photo Control
- ⊙ Rated voltage: 120/240V~(applicable 105-260V~)
- ⊙ Rated frequency: 50/60Hz
- ⊙ Rated current: 12-25A
- ⊙ Load: 1200W TUNGSTEN
- ⊙ Light level: ON/OFF;10-16LUX/50-80LUX or at customers'option
- ⊙ Acting time: 15-25"
- ⊙ Protection degree of enclosure: IP54
- ⊙ Temperature range: -40℃~+70℃
- ⊙ Electrical life: >5000CYCLES



LLAS26



Exterior dimension(mm)

